



RES/T SERIES AIR HANDLER

Cased Ceiling Mount

Electric Heat, DX Cool

Product Features and Specifications

Application Versatility

Built-in mounting tabs for ceiling or furrdown mounting. The louvered ceiling access panel has a separate frame that attaches to ceiling joists. Solid access panel available for use with end-run installations. Fully compatible with most brands of air conditioners or heat pumps when properly matched.

Low Leakage Cabinet

Less than 2% air leakage from cabinet when tested in accordance with ASHRAE standard 193. The unit must be installed according to AspenPro installation instructions. A sturdy, fully insulated galvanized steel cabinet with knockout for duct return.

Motor

Constant torque ECM allows motor speed control with embedded software. Motors are pre-programmed at the factory.

Electronic Circuit Board

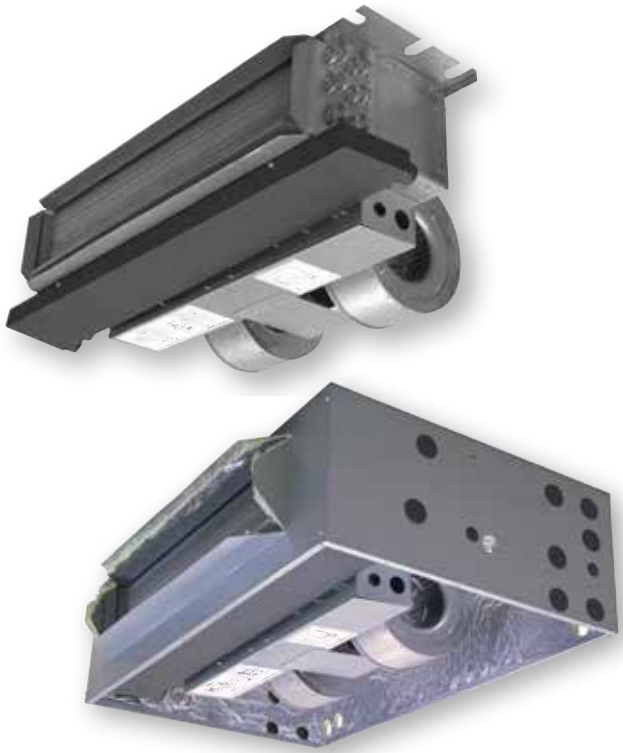
The electronic circuit board provides 30 seconds ON/OFF blower time delay extracting more heating/cooling from the coil.

Electric Heat Kits

Heat kits are available in 3,5,6,8, & 10 kW. Models with electric heat include sequencers and temperature limit switches for safe, efficient operation. Easily accessible controls for quick service and maintenance.

DX Coil

High-efficiency rifled aluminum tubes and enhanced aluminum fins provide maximum heat transfer. All coils factory leak tested with two-stage pressure decay and mass spectrometer process then nitrogen pressurized and factory sealed for maximum reliability. Available with either orifice or TXV metering device, factory installed. Field-installable bolt-on TXVs are also available. Primary and secondary condensate drain. All drain connections are 3/4" NPT. Power-painted metal drain pan. The access door allows for coil cleaning. Certified for use with R-22, R-410A, R-454B, and R-32 refrigerants.



For complete warranty details
visit www.AspenMfg.com



RES/T SERIES AIR HANDLER

Cased Ceiling Mount

Electric Heat, DX Cool

HEATING AND COOLING PERFORMANCE AND ELECTRICAL DATA

MODEL	HEAT KIT	PERFORMANCE DATA				ELECTRICAL DATA				
		NOMINAL COOLING (BTUS)	HEATING KW		HEATING KBTUH		MINIMUM CIRCUIT AMPACITY (MCA)		MAX BREAKER OR FUSE SIZE	
			208V	240V	208V	240V	208V	240V	208V	240V
RET 18	HTS00	18,000	0.0	0.0	0.0	0.0	5.0	5.0	15.0	15.0
	HTS03		2.3	3.0	7.8	10.2	18.5	20.6	20.0	25.0
	HTS05		3.7	4.8	12.6	16.4	26.6	30.0	30.0	30.0
	HTS06		4.6	6.0	15.7	20.5	32.0	36.3	35.0	40.0
	HTS08		6.1	8.0	20.8	27.3	41.1	46.7	45.0	50.0
	HTS10		7.4	9.6	25.3	32.8	48.3	55.0	50.0	60.0
RET 24	HTS00	24,000	0.0	0.0	0.0	0.0	5.0	5.0	15.0	15.0
	HTS03		2.3	3.0	7.8	10.2	18.5	20.6	20.0	25.0
	HTS05		3.7	4.8	12.6	16.4	26.6	30.0	30.0	30.0
	HTS06		4.6	6.0	15.7	20.5	32.0	36.3	35.0	40.0
	HTS08		6.1	8.0	20.8	27.3	41.1	46.7	45.0	50.0
	HTS10		7.4	9.6	25.3	32.8	48.3	55.0	50.0	60.0
RET 30/36	HTS00	30,000	0.0	0.0	0.0	0.0	5.0	5.0	15.0	15.0
	HTS03		2.3	3.0	7.8	10.2	18.5	20.6	20.0	25.0
	HTS05		3.7	4.8	12.6	16.4	26.6	30.0	30.0	30.0
	HTS06		4.6	6.0	15.7	20.5	32.0	36.3	35.0	40.0
	HTS08		6.1	8.0	20.8	27.3	41.1	46.7	45.0	50.0
	HTS10		7.4	9.6	25.3	32.8	48.3	55.0	50.0	60.0

CAP Kit Part Number		
Part Number	Model Number	Enclosure Size
CAP-1	RET18/24	40"x24"x11"
CAP-3	RET 30/36	52"x24"x11"

NOTES:

← CAP kit covers entire bottom opening used for optional ducted return configuration.

CHASSIS DIMENSIONS					
MODEL	A(")	B(")	C(")	WEIGHT (LB)	SKID QTY
RES18	37- ¹ / ₄	34- ⁵ / ₈	30	70	5
RES24	43- ¹ / ₄	40- ⁵ / ₈	36	80	5
RES30	49- ¹ / ₄	46- ⁵ / ₈	42	90	5
RES36	49- ¹ / ₄	46- ⁵ / ₈	42	90	5

ENCLOSURE DIMENSIONS						
MODEL	A(")	B(")	C(")	WEIGHT (LB)	SKID QTY	PANEL
RET18	40	30	30	120	5	GAD-1(S/L)
RET24	46	36	36	130	5	GAD-5(S/L)
RET30	52	42	42	140	5	GAD-2(S/L)
RET36	52	42	42	140	5	GAD-2(S/L)

RES/T SERIES AIR HANDLER

Cased Ceiling Mount

Electric Heat, DX Cool

HEATING AND COOLING PERFORMANCE AND ELECTRICAL DATA

MODEL	HEAT KIT	PERFORMANCE DATA				ELECTRICAL DATA				
		NOMINAL COOLING (BTUS)	HEATING KW		HEATING KBTUH		MINIMUM CIRCUIT AMPACITY (MCA)		MAX BREAKER OR FUSE SIZE	
			208V	240V	208V	240V	208V	240V	208V	240V
RES 18	HTS00	18,000	0.0	0.0	0.0	0.0	5.0	5.0	15.0	15.0
	HTS03		2.3	3.0	7.8	10.2	18.5	20.6	20.0	25.0
	HTS05		3.7	4.8	12.6	16.4	26.6	30.0	30.0	30.0
	HTS06		4.6	6.0	15.7	20.5	32.0	36.3	35.0	40.0
	HTS08		6.1	8.0	20.8	27.3	41.1	46.7	45.0	50.0
	HTS10		7.4	9.6	25.3	32.8	48.3	55.0	50.0	60.0
RES 24	HTS00	24,000	0.0	0.0	0.0	0.0	5.0	5.0	15.0	15.0
	HTS03		2.3	3.0	7.8	10.2	18.5	20.6	20.0	25.0
	HTS05		3.7	4.8	12.6	16.4	26.6	30.0	30.0	30.0
	HTS06		4.6	6.0	15.7	20.5	32.0	36.3	35.0	40.0
	HTS08		6.1	8.0	20.8	27.3	41.1	46.7	45.0	50.0
	HTS10		7.4	9.6	25.3	32.8	48.3	55.0	50.0	60.0
RES 30/36	HTS00	30,000	0.0	0.0	0.0	0.0	5.0	5.0	15.0	15.0
	HTS03		2.3	3.0	7.8	10.2	18.5	20.6	20.0	25.0
	HTS05		3.7	4.8	12.6	16.4	26.6	30.0	30.0	30.0
	HTS06		4.6	6.0	15.7	20.5	32.0	36.3	35.0	40.0
	HTS08		6.1	8.0	20.8	27.3	41.1	46.7	45.0	50.0
	HTS10		7.4	9.6	25.3	32.8	48.3	55.0	50.0	60.0

BLOWER DATA

MODEL	TAP	0.10	0.20	0.30	0.40	0.50	0.60	0.70
RES18	T1	685	640	595	555	505	485	450
	T2	715	675	630	590	555	505	445
	T3	775	735	690	650	615	565	475
	T4	850	805	755	715	660	580	470
	T5	910	865	825	755	675	580	475
RES24	T1	695	650	605	555	505	465	420
	T2	785	735	685	640	605	565	500
	T3	850	815	775	735	695	650	565
	T4	885	840	800	760	720	665	590
	T5	965	925	875	840	780	685	580
RES30/36	T1	900	850	805	760	720	675	595
	T2	960	910	870	825	775	695	580
	T3	1030	995	950	900	815	715	580
	T4	1100	1045	975	915	810	705	590
	T5	1130	1090	1000	930	830	715	600

MODEL	TAP	0.10	0.20	0.30	0.40	0.50	0.60	0.70
RET18	T1	685	640	595	555	505	485	450
	T2	715	675	630	590	555	505	445
	T3	775	735	690	650	615	565	475
	T4	850	805	755	715	660	580	470
	T5	910	865	825	755	675	580	475
RET24	T1	695	650	605	555	505	465	420
	T2	785	735	685	640	605	565	500
	T3	850	815	775	735	695	650	565
	T4	885	840	800	760	720	665	590
	T5	965	925	875	840	780	685	580
RET30/36	T1	900	850	805	760	720	675	595
	T2	960	910	870	825	775	695	580
	T3	1030	995	950	900	815	715	580
	T4	1100	1045	975	915	810	705	590
	T5	1130	1090	1000	930	830	715	600



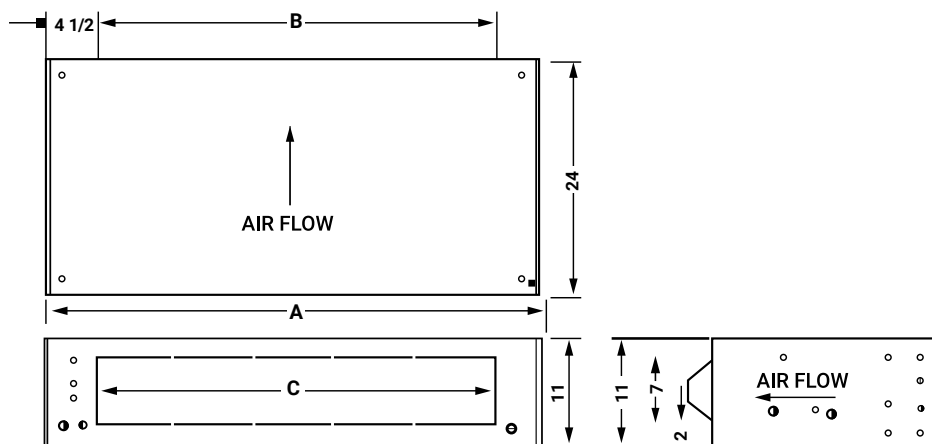
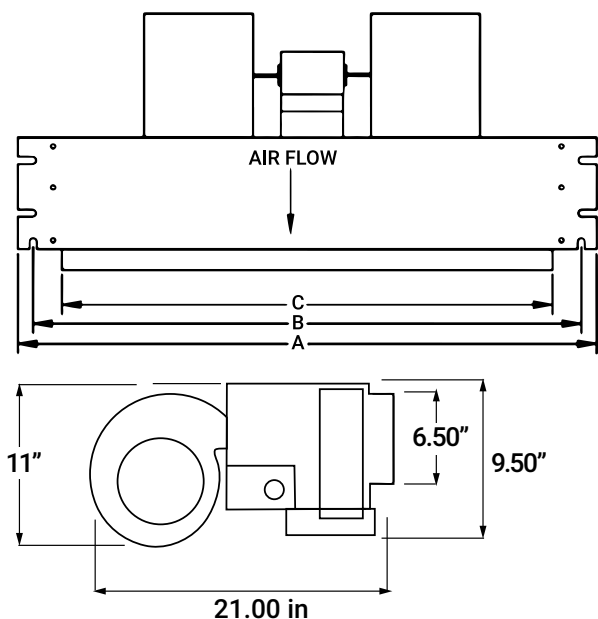
RES/T SERIES AIR HANDLER

Cased Ceiling Mount

Electric Heat, DX Cool

Air Handler Chassis Nomenclature - RES					
R	E	S	18	G	-1
AspenPro	Voltage	Configuration	Nominal Tonnage (MBTUH)	Metering Device	Option Code
Air Handler	A = 240V PSC Motor B = 120V PSC Motor E = 240V X13 Motor F = 120V X13 Motor	L = Multi-Position Low Boy (No DX Coil) M = Multi-Position S = Uncased Ceiling Mount T = Cased Ceiling Mount W = Wall Mount		4 = non-bleed A/C or H/P R410 TXV 6 = 20% bleed A/C or H/P R410 TXV B = 20% bleed A/C or H/P R22 TXV F = R-22 Flo-rater G = R-410A Flo-rater X = non-bleed A/C or H/P R22 TXV	

Electric Heat Kit Nomenclature - RES			
H	C	S	10
H = Fits RES*, RET*	Power Connection C = Circuit Breaker P = Circuit Breaker W/Single Point Block T = Terminal Block	S = Small Cabinet (18 - 36)	Heat Strip 00 = NO Heat 03 = 3 KW 05 = 5 KW 06 = 6 KW 08 = 8 KW 10 = 10 KW



Copper stub out diameter: Suction: $\frac{3}{4}$ ", Liquid: $\frac{3}{8}$ "



373 Atascosita Road, Humble, TX 77396 | P 800-423-9007

www.AspenMfg.com

©2023 Aspen Manufacturing